

NFC TAG Module for BT&WIFI Quick-pairing

Features and benefits

1 RF Interface (ISO/IEC 14443A)

Contactless transmission of data and supply energy (no battery needed)

Operating distance: up to 100 mm (depending on field strength and antenna geometry)

Operating frequency: 13.56 MHz

Fast data transfer: 106 kbit/s

High data integrity: 16-bit CRC, parity, bit coding, bit counting

True anticollision

7 byte serial number (cascade level 2 according to ISO/IEC 14443-3)

2 EEPROM

168 bytes of total memory, divided in 42 pages (4 bytes each)

144 bytes of user r/w memory area, divided in 36 pages (4 bytes each)

Field programmable read-only locking function per page for first 64 bytes

Field programmable read-only locking function per block

32-bit user definable One-Time Programmable (OTP) area

16-bit counter

Data retention of 5 years

Write endurance 10000 cycles

3 NFC Forum Tag 2 Type compliance

provides full compliance to the NFC Forum Tag 2 Type technical

4 Field detection

The corresponding output signal can be used as interrupt source to e.g. wake up an embedded microcontroller or trigger further actions. Typical applications are Bluetooth and Wi-Fi pairing.

5 Security

Anti-cloning support by unique 7-byte serial number for each device

32-bit user programmable OTP area

Field programmable read-only locking function per page for first 512 bits

Read-only locking per block for rest of memory

6 Cascaded UID

The anticollision function is based on an IC individual serial number called Unique Identifier. The UID of the NTAG203F is 7 bytes long and supports cascade level 2 according to ISO/IEC 14443-3.

7 Anticollision

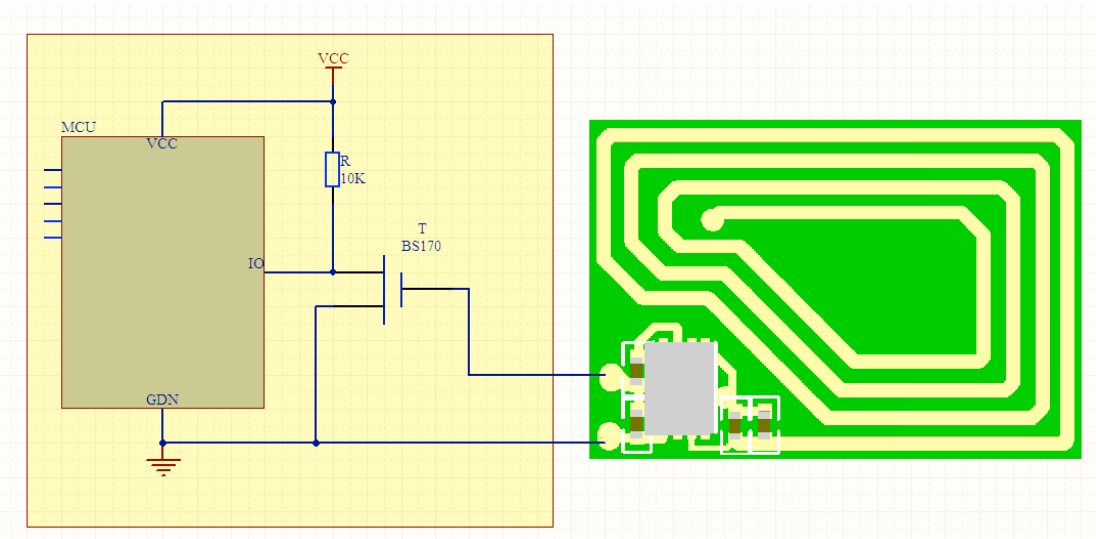
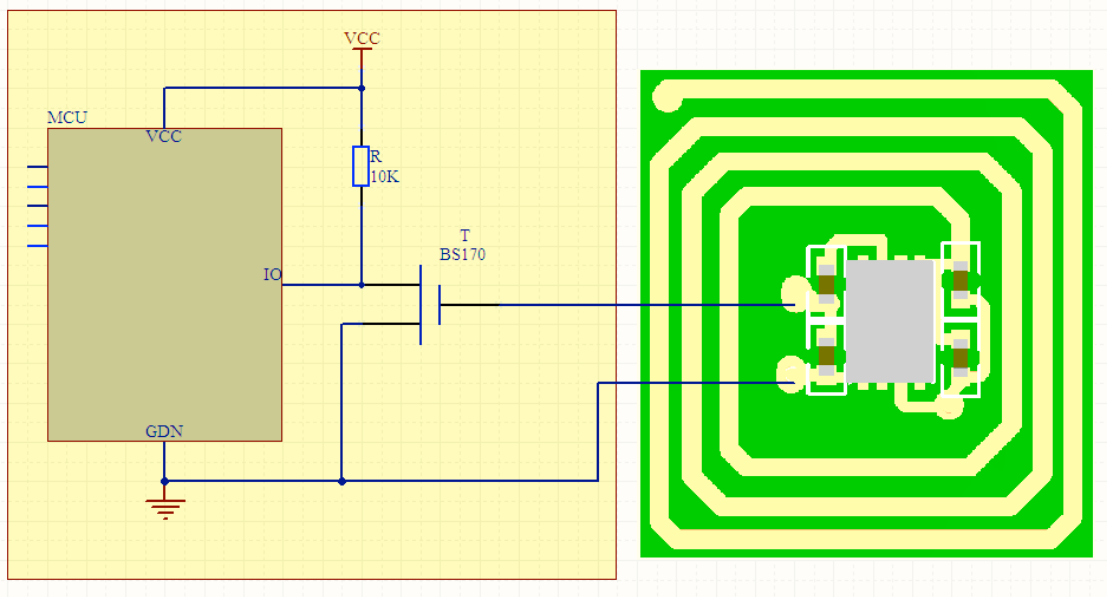
An intelligent anticollision function according to ISO/IEC 14443 allows to operate more than one card in the field simultaneously. The anticollision algorithm selects each card individually and ensures that the execution of a transaction with a selected card is performed correctly without data corruption resulting from other cards in the field.

8 Dimension (Unit: mm)

1. 12*13

2. 12*17.5

RF field detect connection



参考资料: